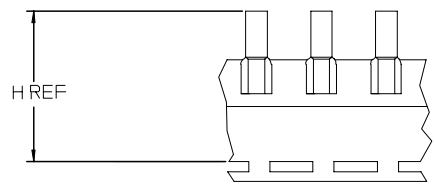
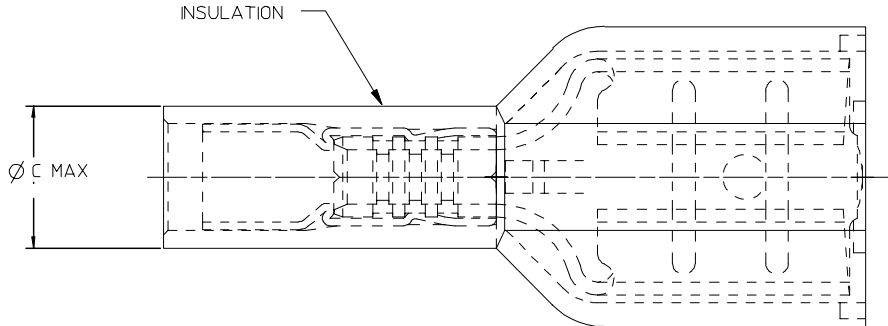
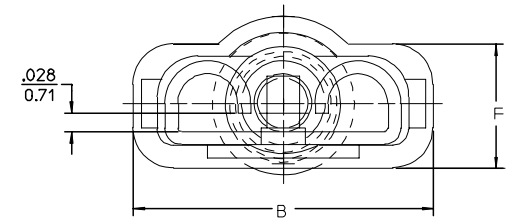
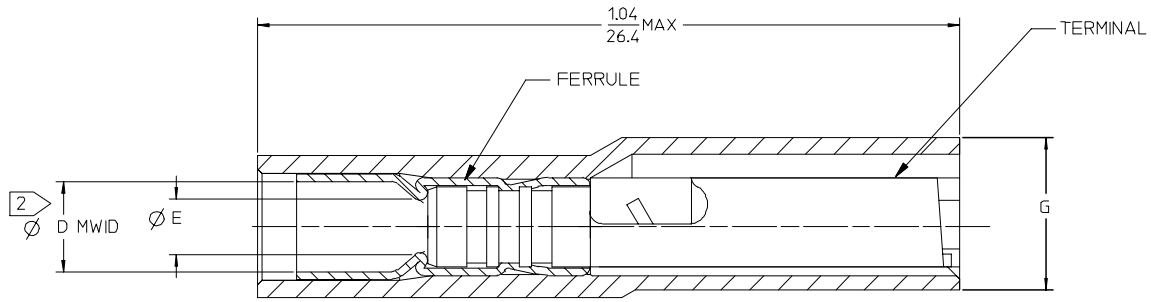


13	12	11	10	9	8	7	6	5	4	3	2	1
MATERIAL NUMBER LOOSE PCS	ENGINEERING NUMBER LOOSE PCS	MATERIAL NUMBER ON STRIP	ENGINEERING NUMBER ON STRIP	MATERIAL NUMBER ON TAPE	ENGINEERING NUMBER ON TAPE	"C" MAX	"D" MWD	"E" MIN	"F" REF	"H" REF		
190020044	C-5265	190020046	C-5265Z	190020045	C-5265T	.31/7.9	.245/6.22	.144/3.66	.19/4.8	1.561/39.65		
196060005	19606-0005	196060004	19606-0004	196060006	19606-0006	.30/7.6	.230/5.84	.120/3.05	.15/3.8	1.513/38.43		



PARTS ON TAPE



SALES DRAWING

NOTES:

- MATERIAL: TERMINAL BRASS .018/0.46 THK REF.  
TERMINAL PLATING: ELECTRO TIN  
FERRULE: BRASS  
FERRULE PLATING: ELECTRO TIN  
INSULATION: NYLON 94V2 COLOR YELLOW.
- MWD = MAXIMUM WIRE INSULATION DIAMETER
- PART IS RoHS COMPLIANT

ADD NOTE 3 FC NO: ETC2007-0243 DRAWN: JLOMASTRO 2006/12/14 CHKD: JMAGNELL 2006/12/15 APPR: JMAGNELL 2006/12/15	QUALITY SYMBOLS	DESCRIPTION
	▽=0	
	▽=0	
	REV	

GENERAL TOLERANCES (UNLESS SPECIFIED)	
mm	INCH
4 PLACES ± .005	± .005
3 PLACES ± .01	± .01
2 PLACES ± 0.13	± .01
1 PLACE ± 0.25	± .01
ANGULAR ±1/2°	
DRAFT WHERE APPLICABLE MUST REMAIN WITHIN DIMENSIONS	

DIMENSION STYLE		SCALE		DESIGN UNITS		THIRD ANGLE PROJECTION	
IN/MM		4:1		INCH		⊙	
DRAWN BY	DATE	TITLE					
BENDERLE	2005/04/15	AVIKRIMP FEMALE FIQD 12-10 AWG					
CHECKED BY	DATE						
R DEROSS	2005/04/15						
APPROVED BY	DATE						
R DEROSS	2005/04/15						
MATERIAL NO.		DOCUMENT NO.		SHEET NO.			
SEE CHART		SD-19002-005		1 OF 1			

MATERIAL NO.		DOCUMENT NO.		SHEET NO.			
SEE CHART		SD-19002-005		1 OF 1			
THIS DRAWING CONTAINS INFORMATION THAT IS PROPRIETARY TO MOLEX INCORPORATED AND SHOULD NOT BE USED WITHOUT WRITTEN PERMISSION							